

Industrial Housings - Stainless Steel

Filtertec Systems Ltd supply a comprehensive range of filter housings for cartridge and bag applications, from simple single cartridge housings to multi-round bag or cartridge housings there is a product for every application.



Filtertec multi-cartridge housings are supplied with a universal cup that allows either 222 (code 3 EG and code 8 EH) or DOE filters to be fitted to the same housing.

For applications requiring UltraPore pleated filter cartridges we recommend that SOE 222 filters are fitted and the guide posts and spring caps dispensed with, for applications using UltraPure melt blown filter cartridges DOE filters are usually preferable and the guide posts and spring cups should be retained.

VB Series

VB series housings use a V-band clamp lid sealing mechanism and are suitable for price sensitive applications.

SB Series

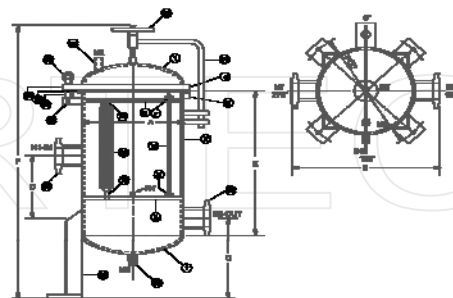
SB Series housings feature a cast lid with integral hinge mechanism, and swing bolt fixings to ensure a positive seal. Suitable for higher pressure applications SB housings are engineered to provide many years of reliable service.

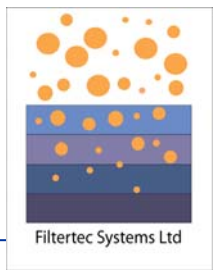
DL Series

DL series housings feature a davit lift lid raising mechanism making opening and closing the housing easy and safe. DL series housings are available in multi-bag and multi-cartridge configurations.

TL Series

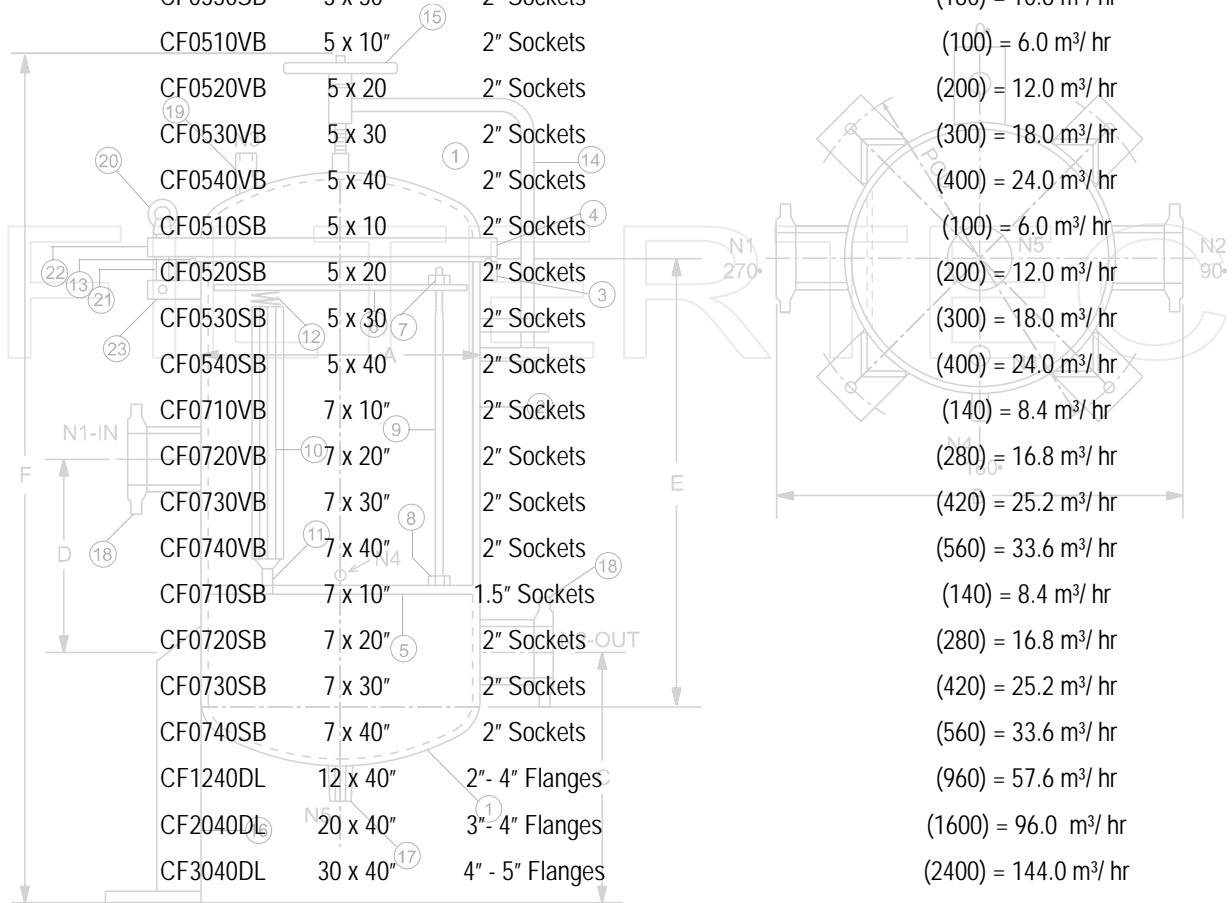
Only available for size 1 and 2 filter bags TL series housings feature a cast lid with swan neck inlet configuration, integral hinge assembly and swing bolt fixings for a positive seal. Because the lid sits directly on the sealing ring of the filter bag the chance of by-pass is greatly reduced. TL series housings are designed





Stainless Steel Cartridge Filter Housings

Code	Cartridges	Connections	Recommended Max Flow rate (L.P.M.) @ 1CPS
CF0110VB	1 x 10"	1" Sockets	(20) = 1.2 m ³ / hr
CF0120VB	1 x 20"	1" Sockets	(40) = 2.4 m ³ / hr
CF0130VB	1 x 30"	1" Sockets	(60) = 3.6 m ³ / hr
CF0310VB	3 x 10"	2" Sockets	(60) = 3.6 m ³ / hr
CF0320VB	3 x 20"	2" Sockets	(120) = 7.2 m ³ / hr
CF0330VB	3 x 30"	2" Sockets	(180) = 10.8 m ³ / hr
CF0310SB	3 x 10"	2" Sockets	(60) = 3.6 m ³ / hr
CF0320SB	3 x 20"	2" Sockets	(120) = 7.2 m ³ / hr
CF0330SB	3 x 30"	2" Sockets	(180) = 10.8 m ³ / hr
CF0510VB	5 x 10"	2" Sockets	(100) = 6.0 m ³ / hr
CF0520VB	5 x 20"	2" Sockets	(200) = 12.0 m ³ / hr
CF0530VB	5 x 30"	2" Sockets	(300) = 18.0 m ³ / hr
CF0540VB	5 x 40"	2" Sockets	(400) = 24.0 m ³ / hr
CF0510SB	5 x 10"	2" Sockets	(100) = 6.0 m ³ / hr
CF0520SB	5 x 20"	2" Sockets	(200) = 12.0 m ³ / hr
CF0530SB	5 x 30"	2" Sockets	(300) = 18.0 m ³ / hr
CF0540SB	5 x 40"	2" Sockets	(400) = 24.0 m ³ / hr
CF0710VB	7 x 10"	2" Sockets	(140) = 8.4 m ³ / hr
CF0720VB	7 x 20"	2" Sockets	(280) = 16.8 m ³ / hr
CF0730VB	7 x 30"	2" Sockets	(420) = 25.2 m ³ / hr
CF0740VB	7 x 40"	2" Sockets	(560) = 33.6 m ³ / hr
CF0710SB	7 x 10"	1.5" Sockets	(140) = 8.4 m ³ / hr
CF0720SB	7 x 20"	2" Sockets	(280) = 16.8 m ³ / hr
CF0730SB	7 x 30"	2" Sockets	(420) = 25.2 m ³ / hr
CF0740SB	7 x 40"	2" Sockets	(560) = 33.6 m ³ / hr
CF1240DL	12 x 40"	2" - 4" Flanges	(960) = 57.6 m ³ / hr
CF2040DL	20 x 40"	3" - 4" Flanges	(1600) = 96.0 m ³ / hr
CF3040DL	30 x 40"	4" - 5" Flanges	(2400) = 144.0 m ³ / hr
CF4540DL	45 x 40"	5" - 6" Flanges	(3600) = 216.0 m ³ / hr
CF5540DL	55 x 40"	8" Flanges	(4400) = 264.0 m ³ / hr

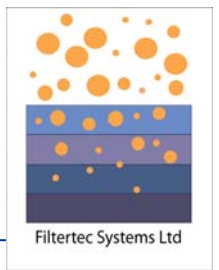


- Heavy duty 304 or 316 construction
- Electro polished finish
- BSP sockets, flanged or sanitary connections available
- Universal D.O.E. or 222 cartridge fitments

- **VB** = V-band lid closure c/w dome lid
- **SB** = Swing eye bolt closure c/w fcast lid

Prices: All prices quoted in the sellers literature and lists are subject to alteration or withdrawal without notice.

Filtertec Systems Limited
 PO Box 93 Hadleigh IPSWICH
 IP7 9AG
 United Kingdom
 T: +44 (0)845 644 3842
 F: +44 (0)845 644 3843
 E: sales@filtertecsystems.com



Stainless Steel Bag Filter Housings

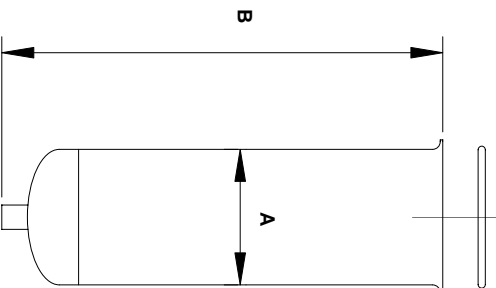
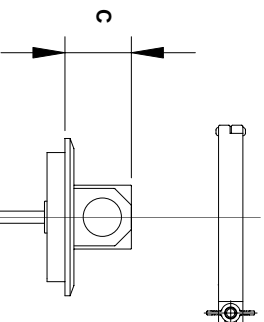
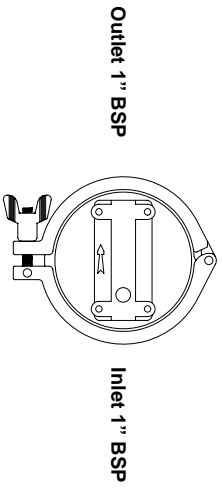
Code	Number of bags & Size	Connections	Recommended Max Flow rate (L.P.M.) @ 1CPS
BF0101VB	1 x 1	2" Sockets	(333) = 20 m ³ / hr
BF0102VB	1 x 2	2" Sockets	(666) = 40 m ³ / hr
BF0103VB	1 x 3	1" Sockets	(100) = 6 m ³ / hr
BF0104VB	1 x 4	1" Sockets	(200) = 12m ³ / hr
BF0101FL	1 x 1	2" Sockets	(333) = 20 m ³ / hr
BF0102FL	1 x 2	2" Sockets	(666) = 40 m ³ / hr
BF0103FL	1 x 3	1" Sockets	(100) = 6 m ³ / hr
BF0104FL	1 x 4	1" Sockets	(200) = 12m ³ / hr
BF0101TL	1 x 1	2" Flanges	(333) = 20 m ³ / hr
BF0102TL	1 x 2	2" Flanges	(666) = 40 m ³ / hr
BF0202DL	2 x 2	3" - 4" Flanges	(1333) = 80 m ³ / hr
BF0402DL	4 x 2	6" Flanges	(2666) = 160 m ³ / hr
BF0402DL	4 x 2	8" Flanges	(2666) = 160 m ³ / hr
BF0602DL	6 x 2	6" Flanges	(4000) = 240 m ³ / hr
BF0602DL	6 x 2	8" Flanges	(4000) = 240 m ³ / hr

- Heavy duty 304 or 316 construction
- Electro polished finish
- BSP sockets, flanged or sanitary connections available

- VB = V-band lid closure c/w dome lid
- SB = Swing eye bolt closure c/w flat lid
- TL = Side inlet, flow through top design (swan neck)
- DL = Davit wheel lift closure

Filtertec Systems Limited
 PO Box 93 Hadleigh IPSWICH
 IP7 9AG
 United Kingdom
 T: +44 (0)845 644 3842
 F: +44 (0)845 644 3843
 E: sales@filtertecsystems.com

CF01-VB Series Cartridge Filter Housings



Dimensions

Model	A	B	C	D
CF0110VB	106mm	345mm	52mm	400mm
CF0120VB	106mm	595mm	52mm	650mm
CF0130VB	106mm	845mm	52mm	900mm

Specifications

Design pressure: 10 Bar
Design temperature: 110 °C
Materials of construction: 304 or 316ss
O-ring materials: EPDM, Nitrile, Silicone, Viton
Surface finish: Electropolished

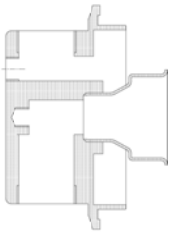
Connections

Inlet & outlet: 1" BSP F
Vent & drain: 1/4" BSP F

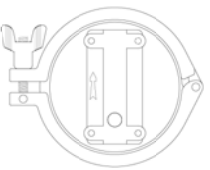
Filtertek Systems Ltd
 PO Box 93
 Hadleigh
 IPSWICH
 IP7 9AG

Tel: +44 (0)845 644 3842

CF01-VB-222 Series Cartridge Filter Housings

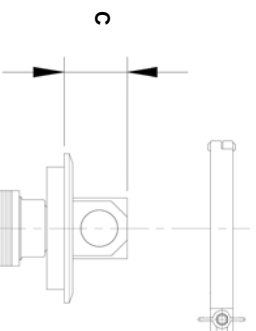


1/4" BSP F
Vent

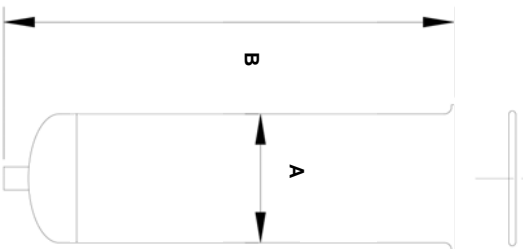


Inlet 1" BSP

Outlet 1" BSP



C



B

A

D

1/4" BSP F
Drain

Dimensions

Model	A	B	C	D
CF0110VB	106mm	370mm	52mm	425mm
CF0120VB	106mm	625mm	52mm	680mm
CF0130VB	106mm	880mm	52mm	935mm

Specifications

Design pressure: 10 Bar
Design temperature: 120 °C
Materials of construction: 304 or 316ss
O-ring materials: EPDM, Nitrile, Silicone, Viton
Surface finish: Electropolished

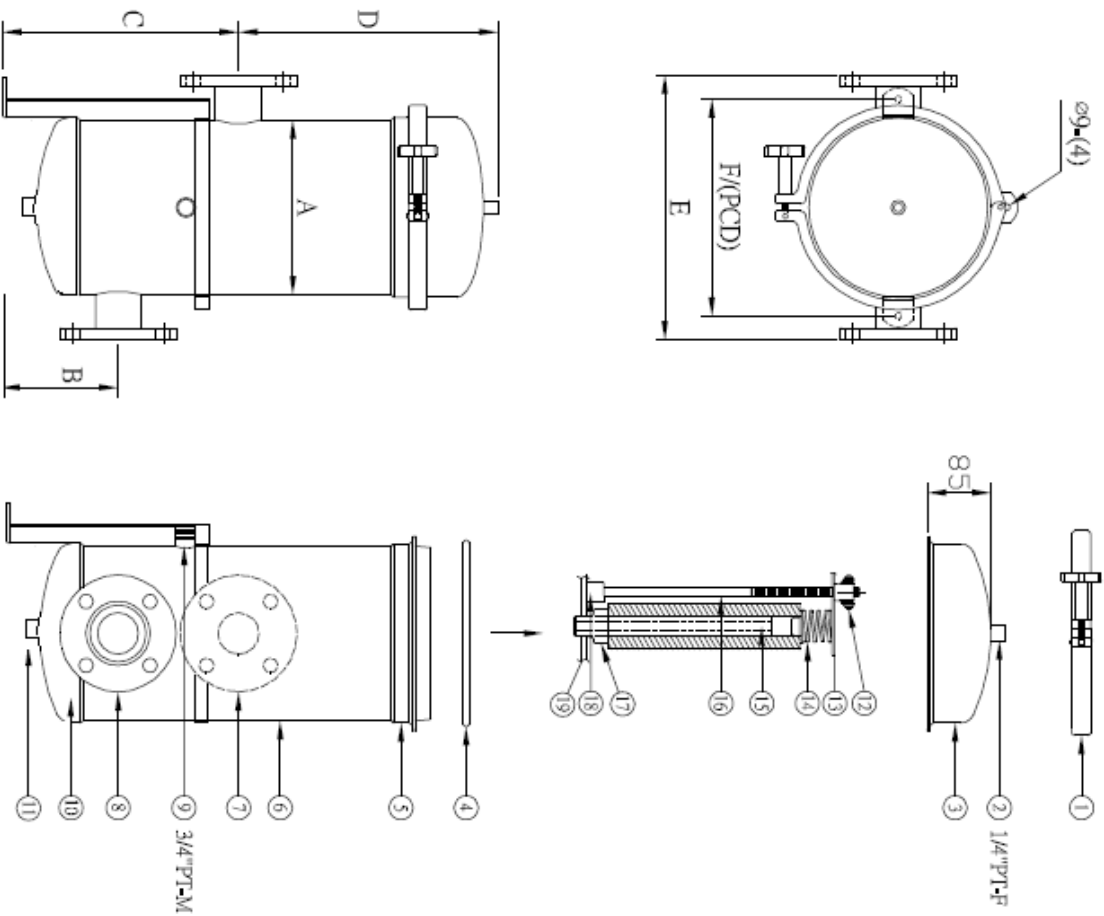
Connections

Inlet & outlet: 1" BSP F
Vent & drain: 1/4" BSP F

Filtertek Systems Ltd
 PO Box 93
 Hadleigh
 IPSWICH
 IP7 9AG

Tel: +44 (0)845 644 3842

CF-VB Series Cartridge Filter Housings

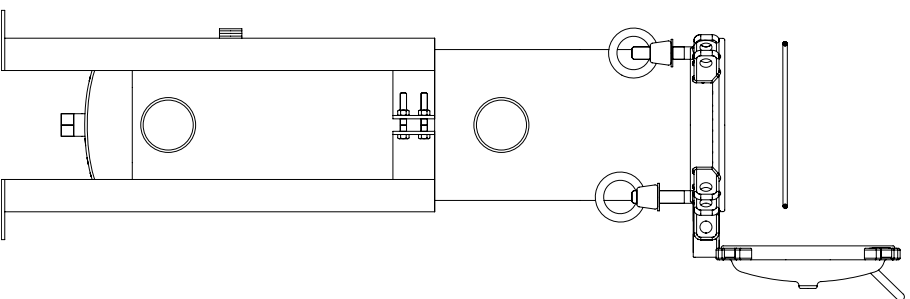
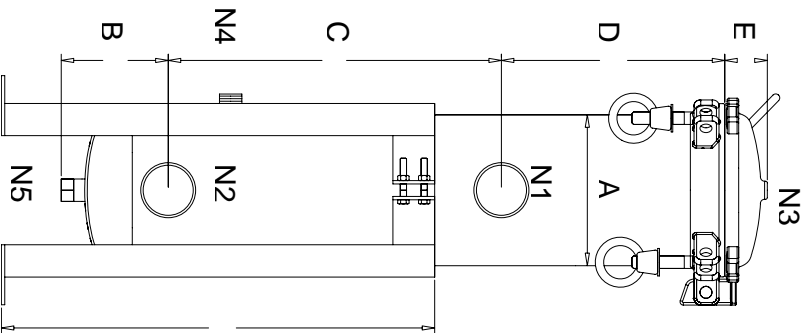
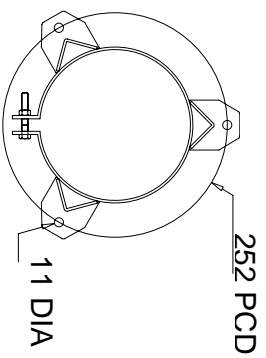
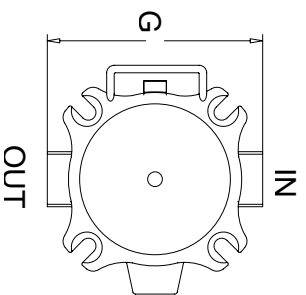


Dimensions		
CF03	CF05/07	
A	180mm	232mm
B	mm	200mm
		+/-50mm
C		360mm
		+/-50mm
D	10"	345mm
	20"	610mm
	30"	865mm
	40"	1120mm
PCD	236mm	288mm
Working pressure: 7 bar		
Working temperature: 110°C		

Filtetek Systems Ltd
 PO Box 93
 Hadleigh
 IPSWICH
 IP7 9AG

Tel +44 (0)845 644 3842

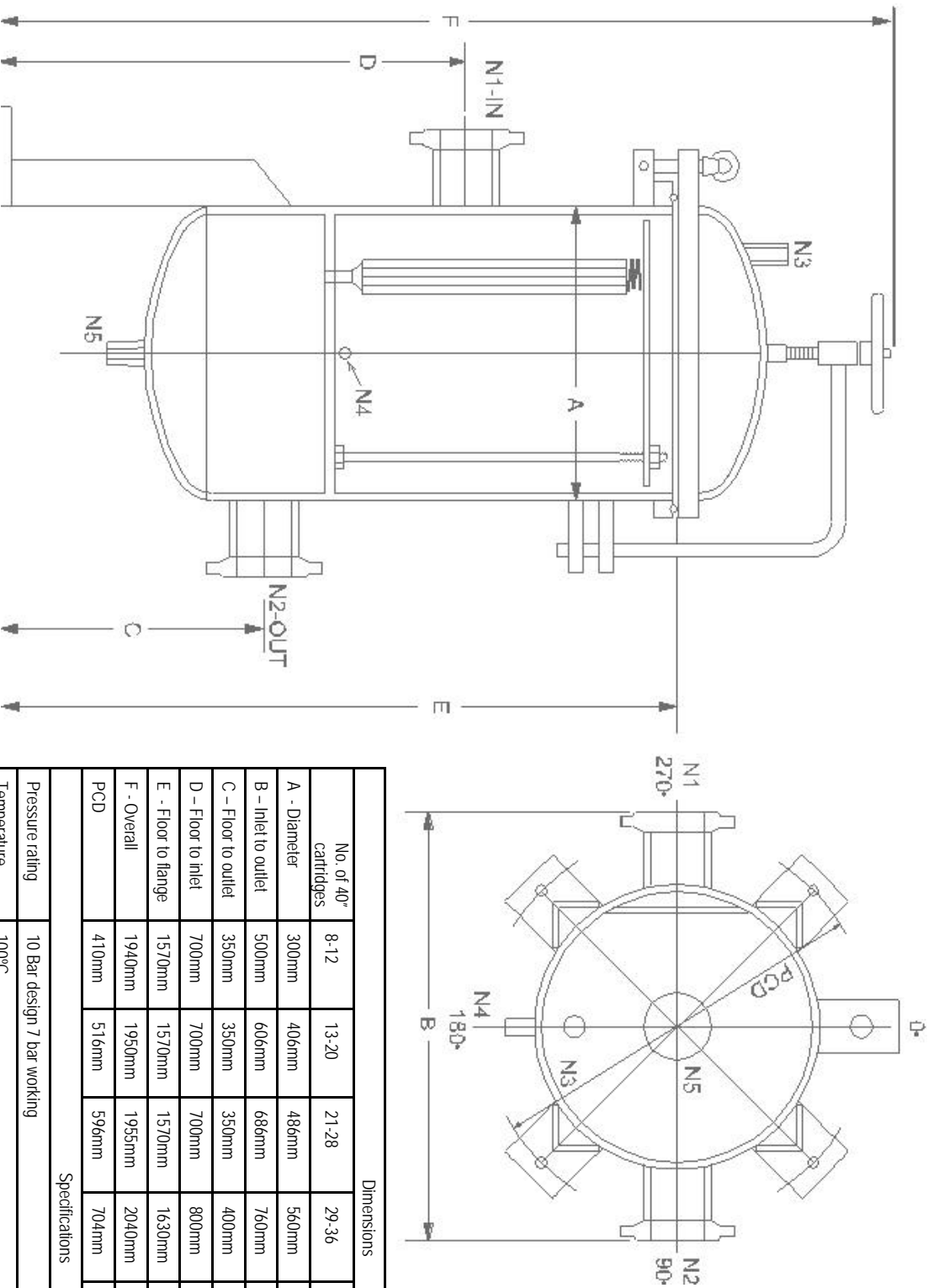
CF-SB Series Cartridge Filter Housings



Dimensions		
CF03	CF05/07	
A	216mm	238mm
B	120mm	120mm
C	160mm	160mm
D 10"	253mm	253mm
20"	508mm	508mm
30"	763mm	763mm
40"		1018mm
E	65mm	65mm
PCD	266mm	288mm
Working pressure: 12 bar		
Working temperature: 120° C		

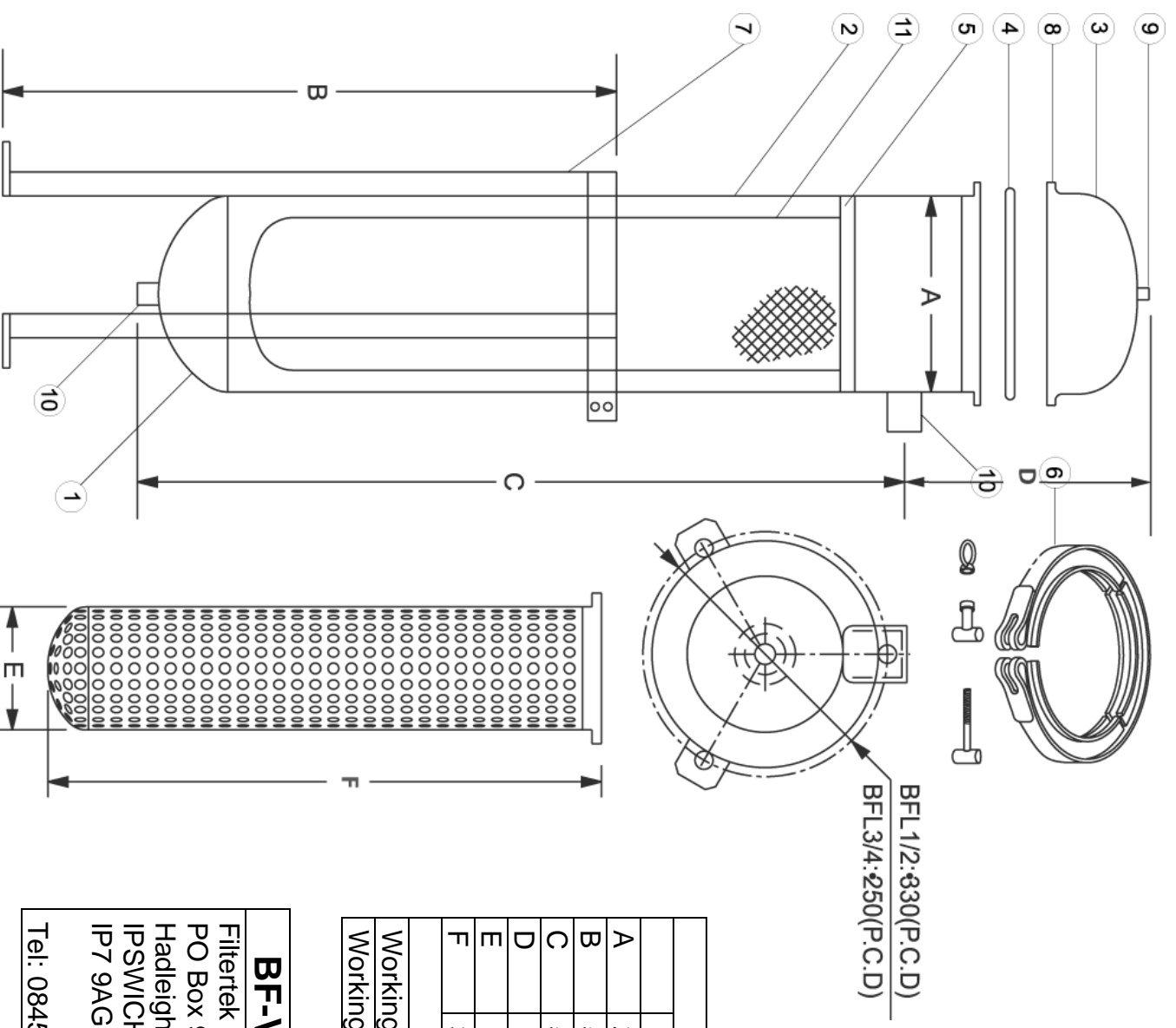
Filartec Systems Ltd
 PO Box 93
 Hadleigh
 IPSWICH
 IP7 9AG
 Tel: +44 (0)845 644 3842

CF-DL Series cartridge Filter Housings



Dimensions									
No. of 40" cartridges	8-12	13-20	21-28	29-36	37-46	47-56	57-81	82-95	
A - Diameter	300mm	406mm	486mm	560mm	600mm	650mm	762mm	900mm	
B - Inlet to outlet	500mm	606mm	686mm	760mm	800mm	850mm	962mm	1100mm	
C - Floor to outlet	350mm	350mm	350mm	400mm	400mm	450mm	500mm	550mm	
D - Floor to inlet	700mm	700mm	700mm	800mm	800mm	850mm	950mm	1000mm	
E - Floor to flange	1570mm	1570mm	1570mm	1630mm	1630mm	1680mm	1730mm	1880mm	
F - Overall	1940mm	1950mm	1955mm	2040mm	2050mm	2135mm	2380mm	2580mm	
PCD	410mm	516mm	596mm	704mm	744mm	800mm	960mm	1100mm	
Specifications									
Pressure rating	10 Bar design 7 bar working								
Temperature	100°C								

Filitec Systems Ltd
 PO Box 93
 Hadleigh
 IPSWICH
 IP7 9AG
 Tel: +44 (0)845 644 3842

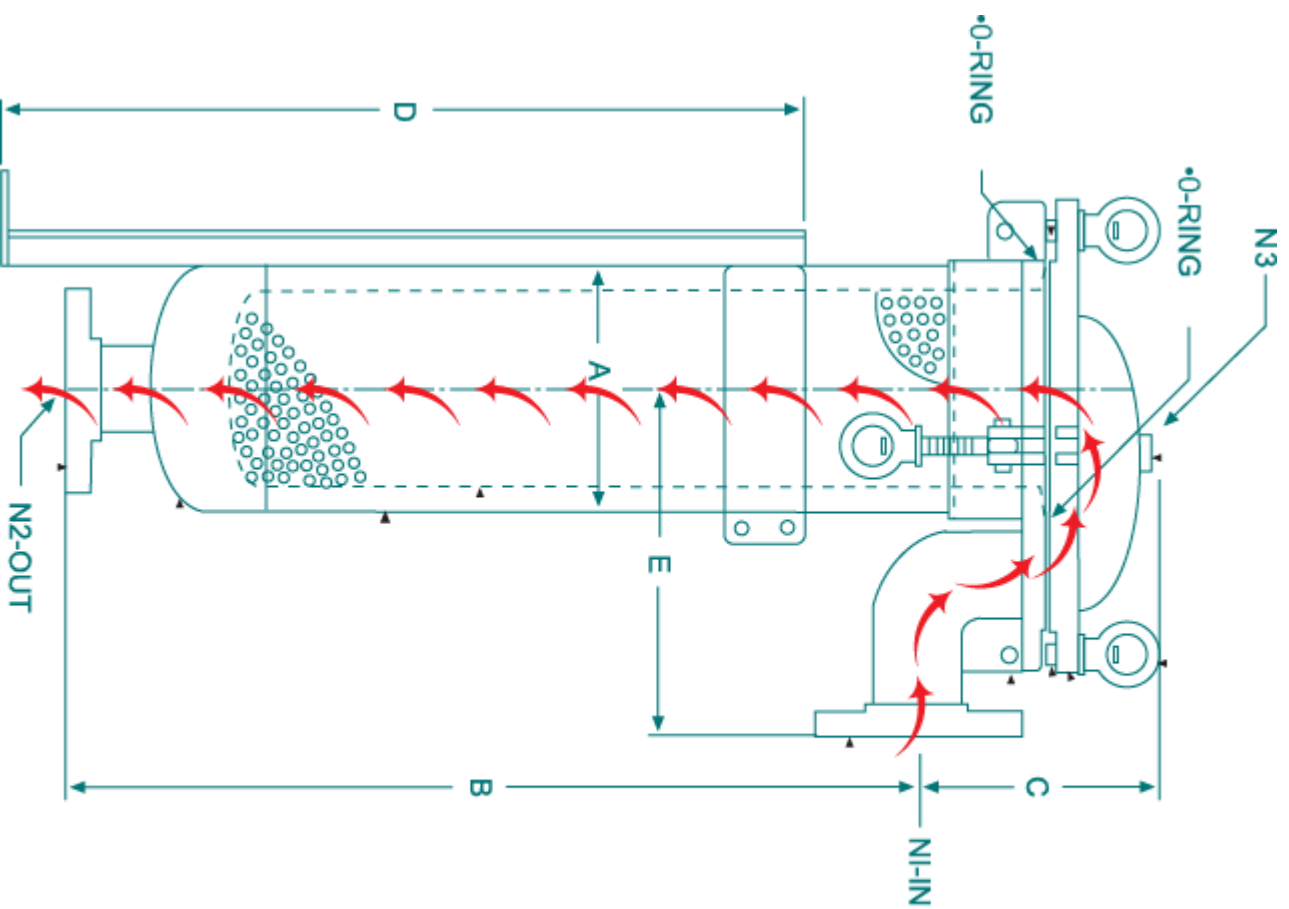


Parts List	
Item	Description
1	Lower dished end
2	Shell
3	Upper dished end
4	O-ring
5	Basket support
6	V-band clamp
7	Leg assembly
8	Lid
9	Vent, 1/2" BSP
10	Inlet/outlet 2" BSP
11	Basket

Dimensions				
	01	02	03	04
A	230mm	230mm	180mm	180mm
B	520mm	520mm	350mm	350mm
C	550mm	1005mm	335mm	470mm
D	197mm	197mm		
E	170mm	170mm	97mm	97mm
F	350mm	730mm	200mm	290mm
Operating Specifications				
Working pressure	7 bar			
Working temperature	120°C			

BF-VB Series Bag Filter Housings

Filtartek Systems Ltd
 PO Box 93
 Hadleigh
 IPSWICH
 IP7 9AG
 Tel: 0845 644 3842

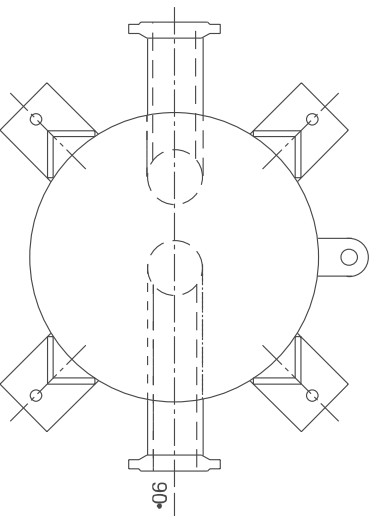
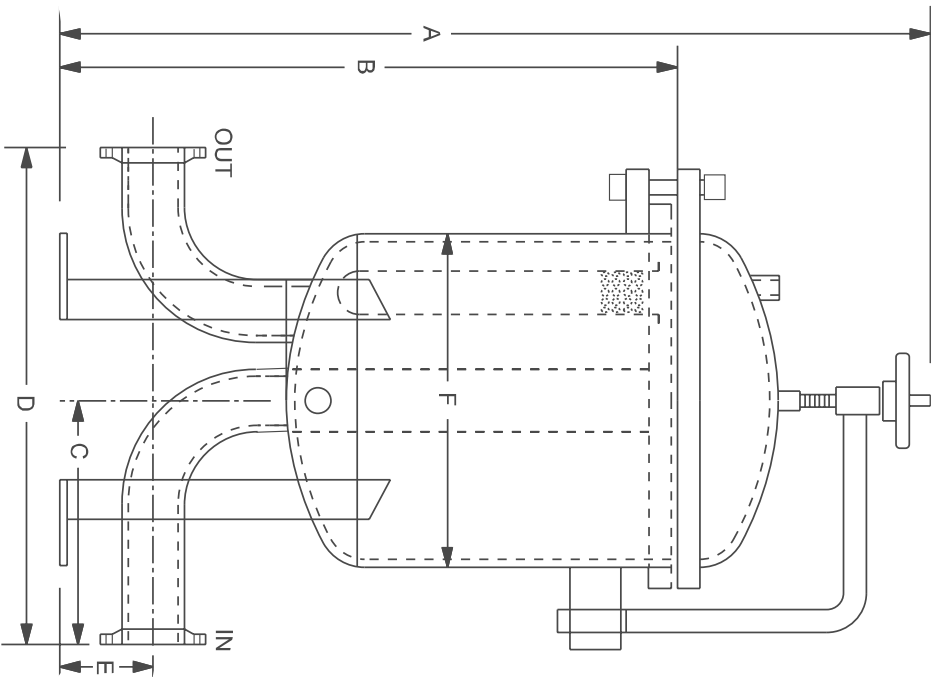


Dimensions		
	01	02
A	216mm	216mm
B	385mm	735mm
C	205mm	205mm
D	500mm	700mm
E	295mm	295mm
PCD	330mm	330mm
Operating Specifications		
Working pressure	10 Bar	
Working temperature	120°C	

BF-TL Series Bag Filter Housings

Filartec Systems Ltd
 PO Box 93
 Hadleigh
 IPSWICH
 IP7 9AG
 Tel: +44 (0)845 644 3842

BF-DL Series Bag Filter Housings



		Dimensions									
No. of size 2 bags	2	3	4	6	8	10	12				
A - height	1397mm	1626mm	1575mm	1626mm	1829mm	1806mm	2007mm				
B - Floor to lid	1143mm	1194mm	1124mm	1226mm	1251mm	1270mm	1410mm				
C - Inlet to centre	292mm	343mm	330mm	356mm	432mm	483mm	533mm				
D - Inlet to outlet	660mm	724mm	737mm	876mm	1047mm	1067mm	1219mm				
E - Floor to inlet	127mm	127mm	127mm	152mm	184mm	184mm	216mm				
F - diameter	406mm	508mm	560mm	600mm	762mm	864mm	965mm				
Connection size	3-4"	3-4"	4"	6"	8"	8"	10"				
Specifications											
Pressure rating	7 Bar										
Temperature	120°C										

Filtertec Systems Limited

PO Box 93
Hedleigh
IP55WCH
IP7 9AG
Tel: 0845 644 3842